

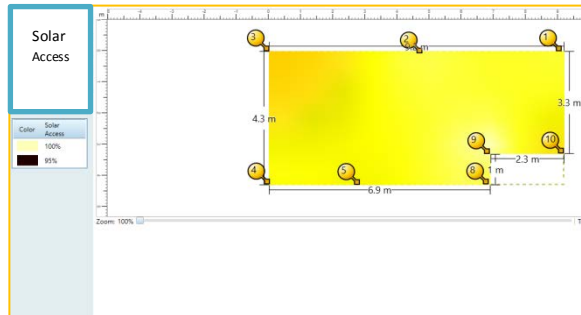
Survey Report

Date of site visit: dd/mm/yyyy

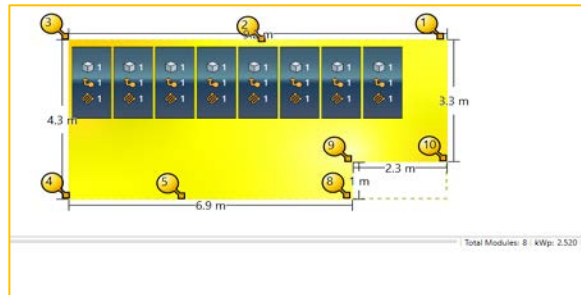
Customer Details	
Customer ID	10XXXX
Customer Name	Mr. Gautam
Contact No.	+91-9899XXXXXX
Email ID	MalhotraXXXX@g mail.com
Address	B-X, Sector-XX, Noida, UP
Average Monthly Bill Amount	INR 5,000/-
Sanctioned Load	07 kW
Usage	Residential
Ownership Type	Buy your solar system



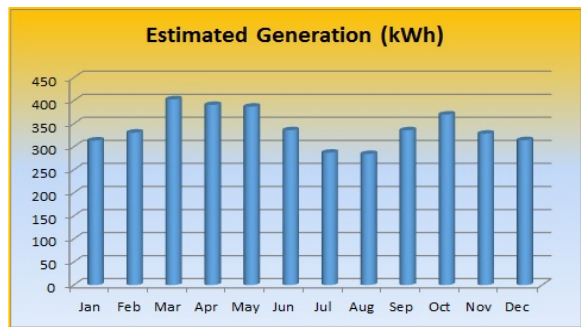
Installation space



Roof layout with dimensions & solar access



Array Layout



MYSUN Evaluation*	
Proposed Solar PV System size	2.52 kWp
System Type	Ongrid**
Estimated Annual Generation	4,082 kWh (Units)
Market Price of the System	INR 1.97 Lacs
Lifetime Savings	INR 8.30 Crore
Monthly Savings	INR 2,232/-
ROI	15.31%
Your Contribution to Environment	92 Trees added or 02 Cars off the road

Summary			
System Size (kWp)	2.52	1.89	1.26
Annual Generation (kWh or Units)	4,082	3,062	2,041
Market price of system (INR)	1,97,000	1,47,500	98,300
Approx. System Cost with SECI Subsidy (INR)	1,51,000	1,13,500	75,600

MYSUN Comments

1. Based on your state net metering policy, space availability, technical parameters, and your average electricity bill, we recommend you to have a system of 2.52 kWp on your roof. Proposed capacity is based on 315Wp modules.
2. Panels will be installed using elevated structures & flush structures over the areas shown in the pictures.
3. Panels have been mounted according to building orientation to maximize the system size.
4. Price mentioned in the report is estimation and the final price will be submitted by installers once we share your profile with them. Final price may vary 10% of our estimation.

If you are interested to know about the solar rooftop policies such as net metering and more, please visit **MYSUN** here.....

<https://www.itsmysun.com/solar-state-wise-policy/>

What next??

MYSUN Solar Advisor will get in touch with you on your registered mobile number and take you through the report and explain the further process.

Note: The price mentioned is inclusive of complete design, engineering, manufacture, supply, storage, civil work, erection, testing & commissioning of the grid connected rooftop solar PV project. It includes all duties, taxes and cost of permits and approval applicable for this plant.

(): It is a grid connected system which doesn't include battery or any other power backup. The system will be in integration with grid only.**

DISCLAIMER (*): Above values rely on our advanced algorithms related to your locational co-ordinates, historical solar irradiation, electricity tariffs and certain generic assumptions with regards to your electricity consumption pattern, availability of area for solar installation, nearby shading, solar irradiation, availing of a bank loan to buy solar system etc. **(Read our full Disclaimer here.... <https://www.itsmysun.com/tc/disclaimer/>)**